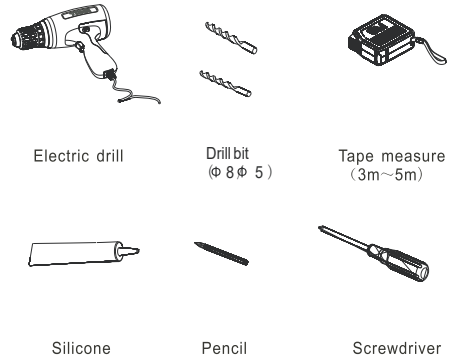
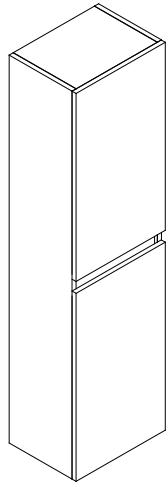
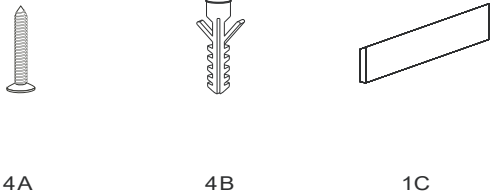


# Installation Guide

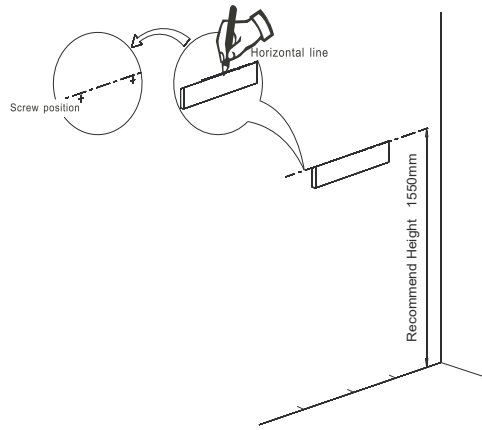


Tools required for installation

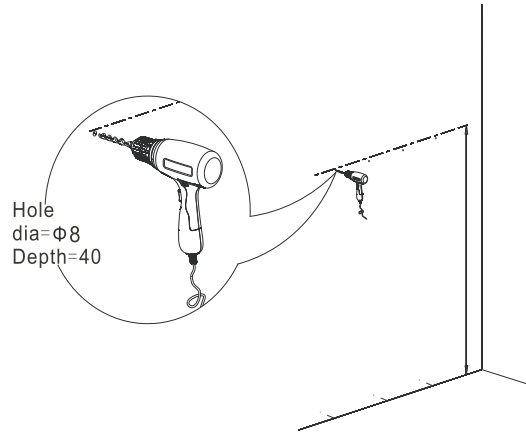
## CABINET



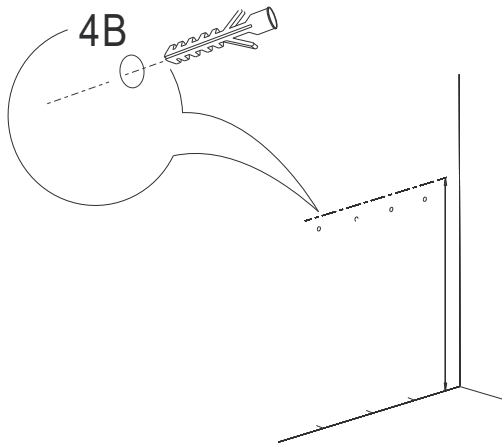
1



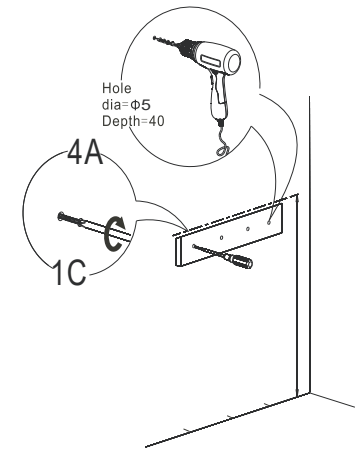
2



3



4



5

